

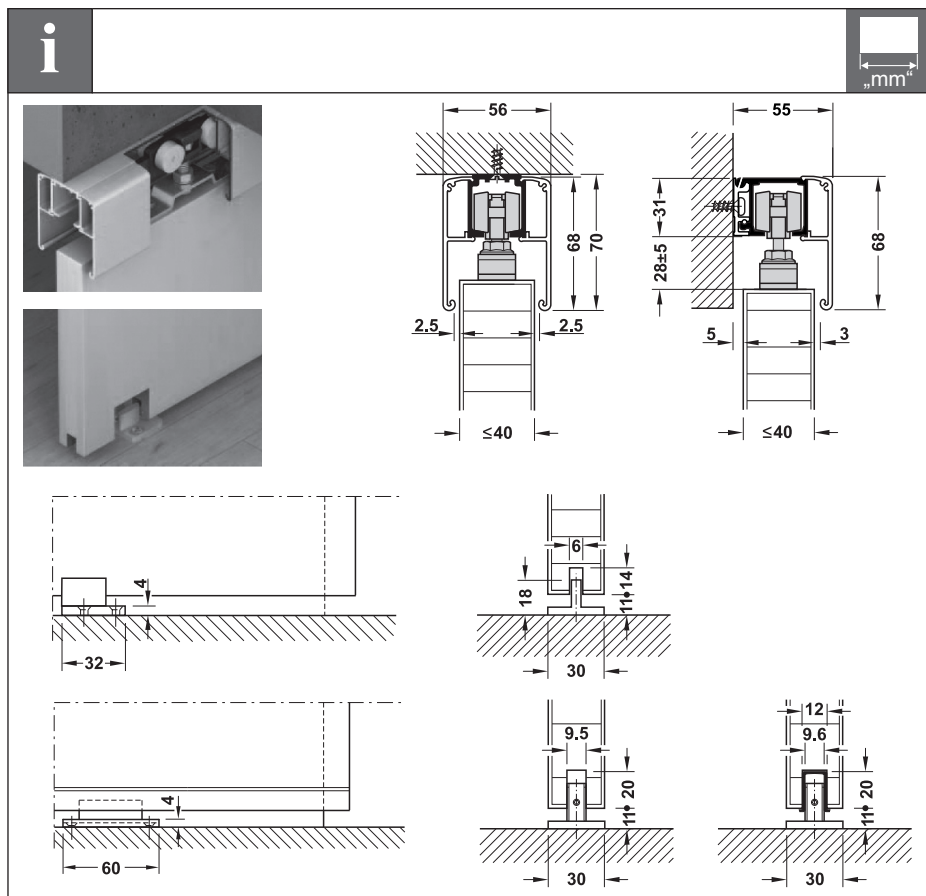


Slido

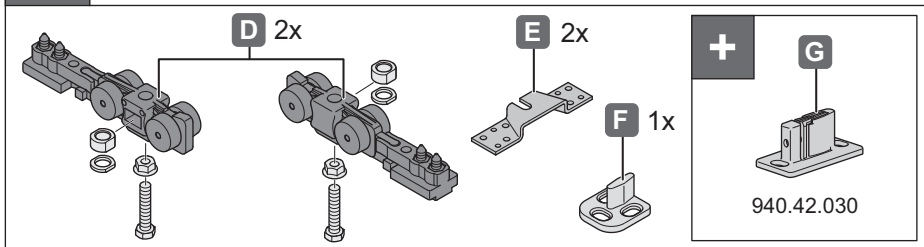
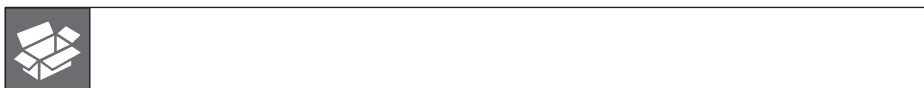
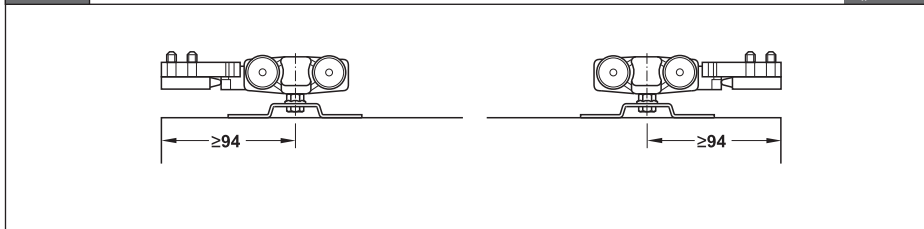
940.42.xxx 940.82.xxx
 940.43.xxx 941.02.xxx
 940.60.xxx 941.25.xxx

Classic	A	B	C	D	E
40-P	940.42.005	940.43.000	940.43.009	940.43.005	940.43.008
60-P	940.60.006				
80-P	940.82.100	940.82.102	940.82.115	940.82.103	940.82.112
120-P	941.02.100	941.25.131			941.25.134

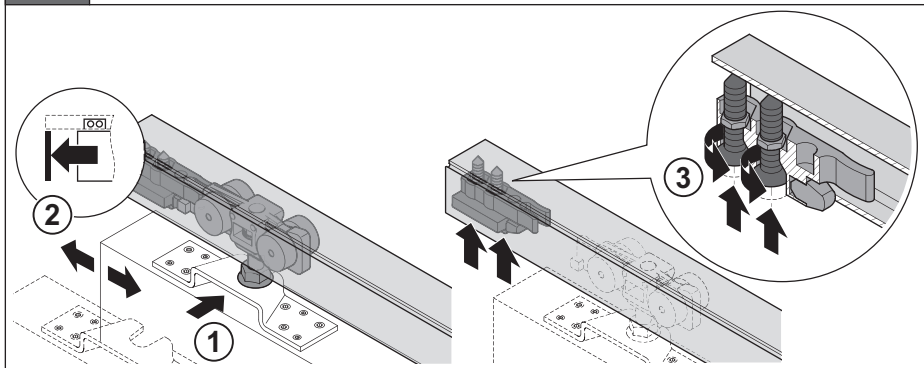
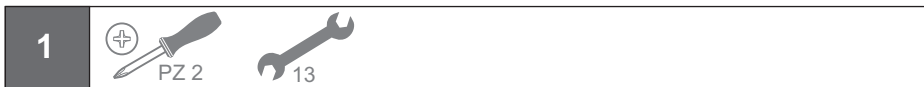
732.29.806



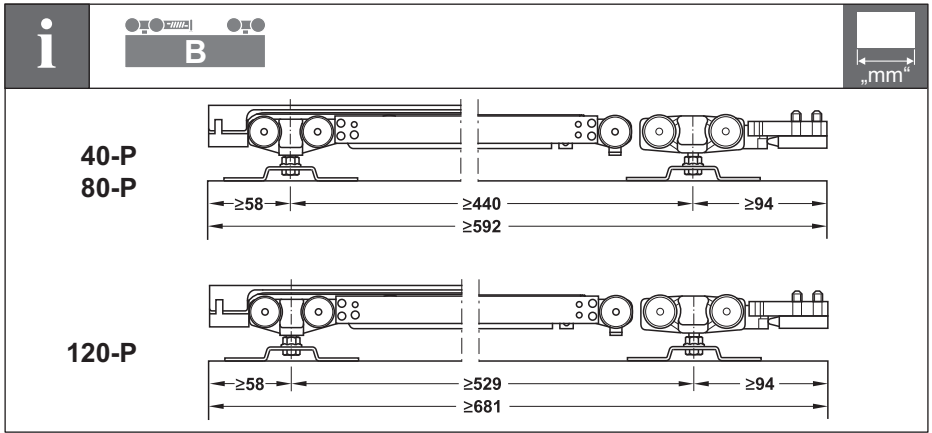
HDE 23.07.2013



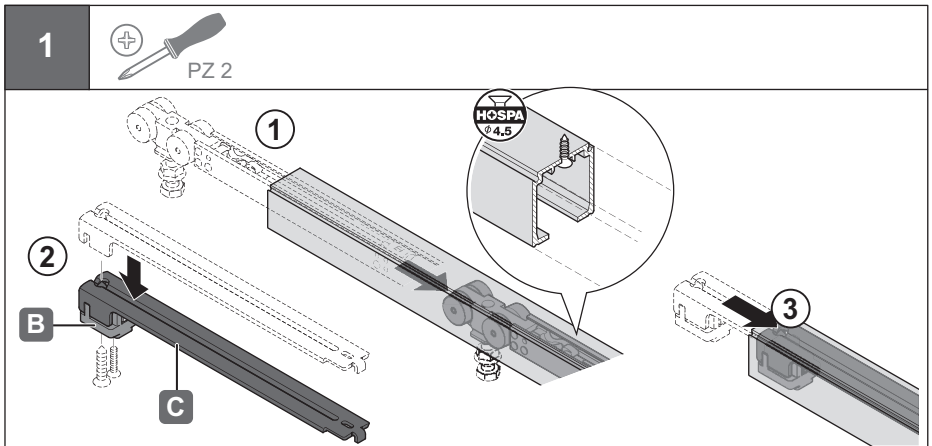
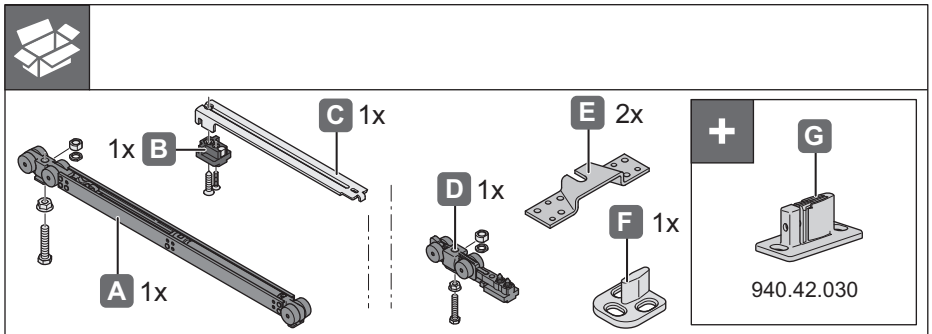
732.29.806



HDE 23.07.2013

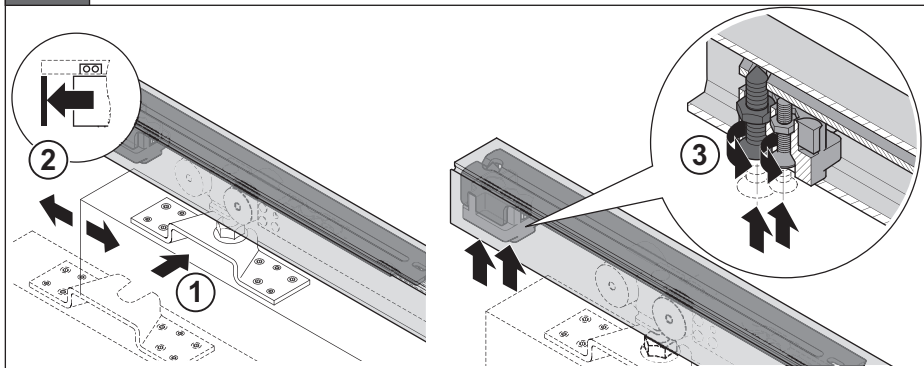


732.29.806



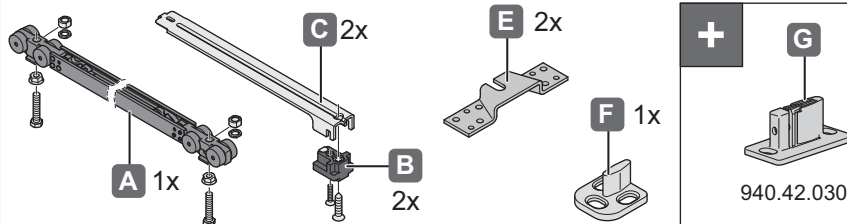
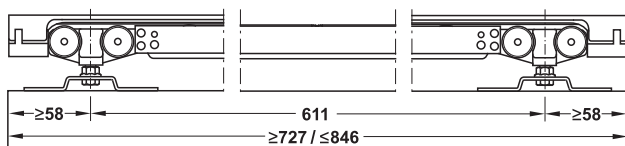
HDE 23.07.2013

2



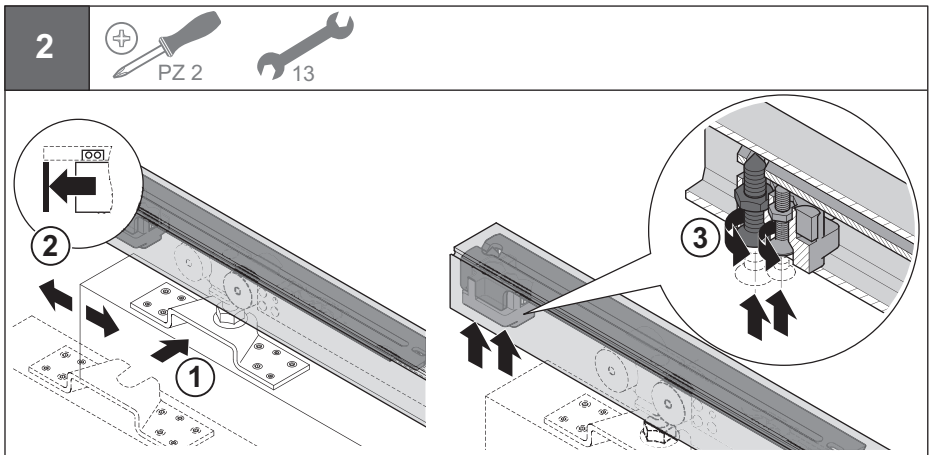
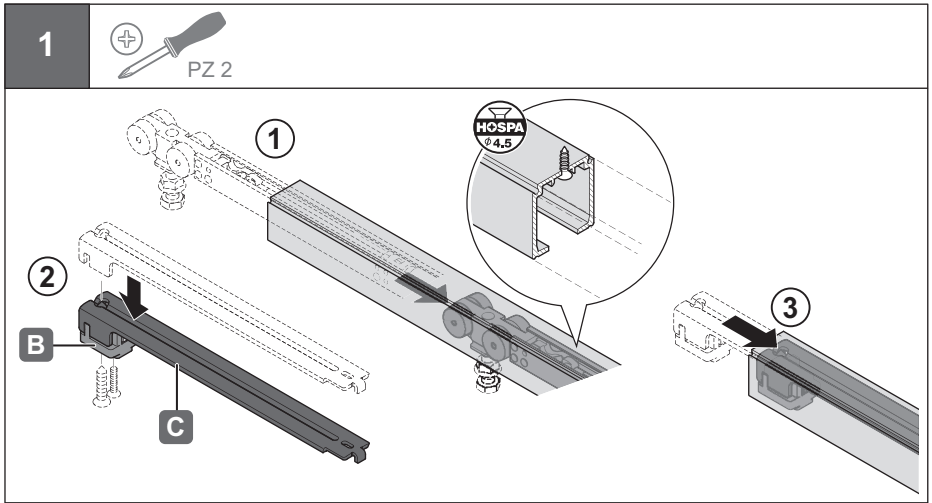
732.29.806

i

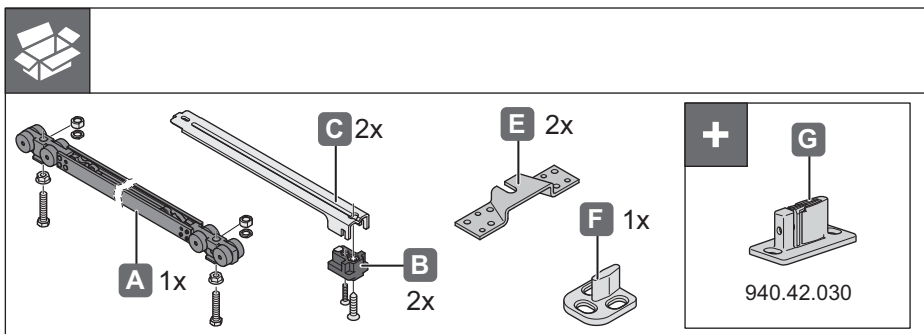
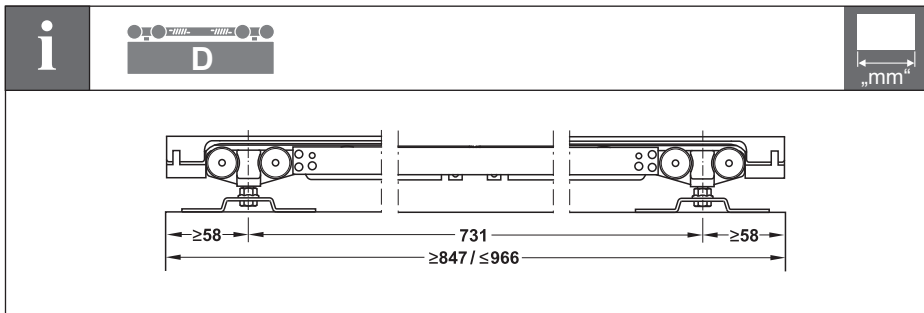


HDE 23.07.2013

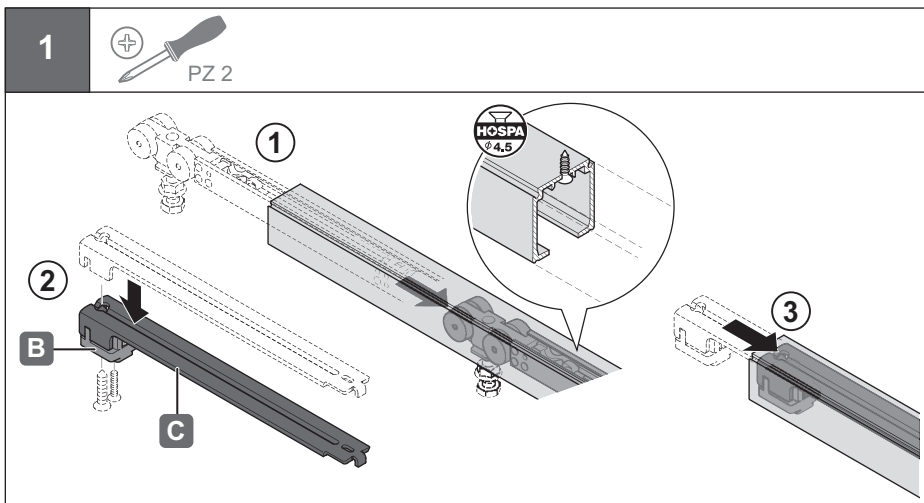
732.29.806



HDE 23.07.2013

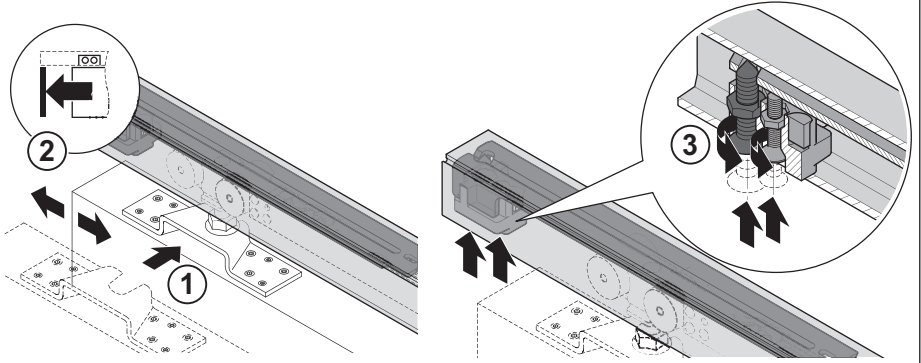


732.29.806



HDE 23.07.2013

2

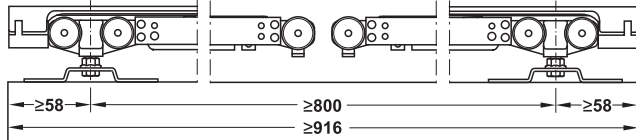


732.29.806

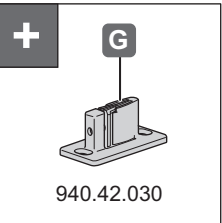
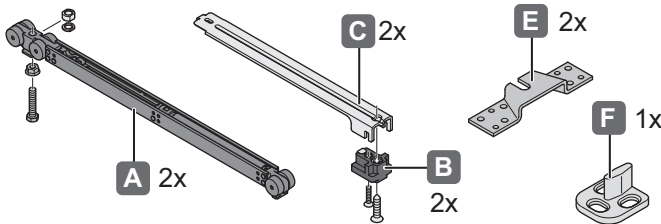
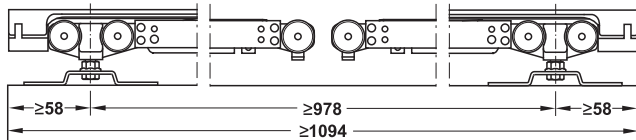
i



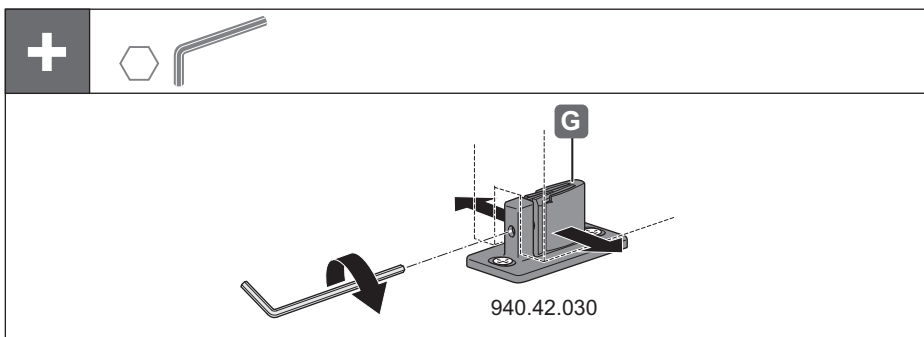
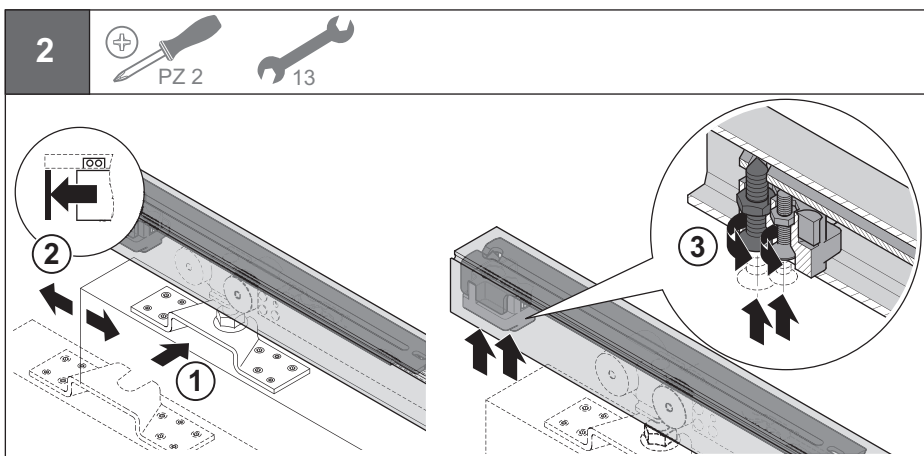
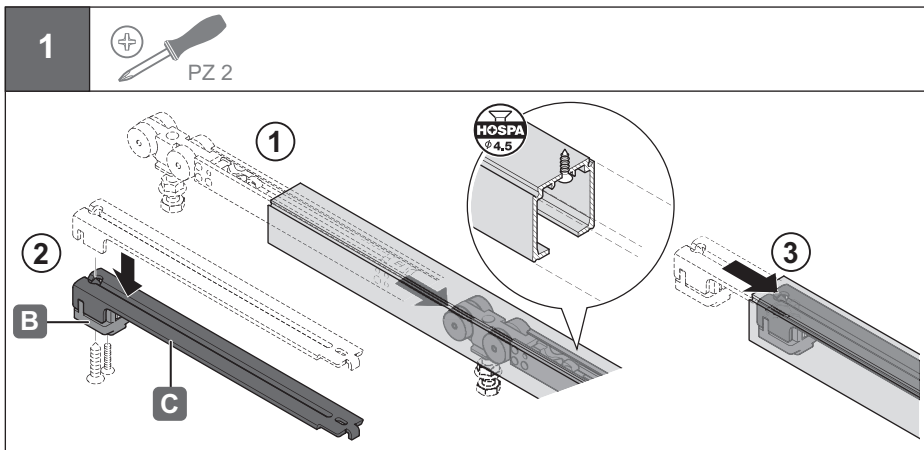
40-P
80-P



120-P



HDE 23.07.2013



732.29.806

HDE 23.07.2013