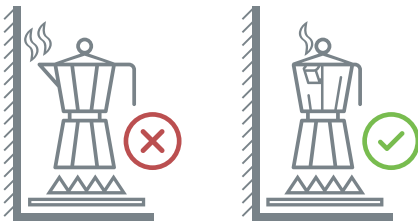


Care & Maintenance

AluSplash panels are vigorously tested for various aspects of functionality and durability. However like most wall surfaces it is vital that the panel be cared for and maintained correctly to ensure that the panel retains its aesthetic look, colour, gloss and surface finish.

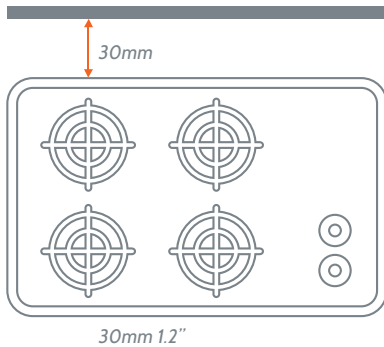
- > **Do not** use acidic, caustic or abrasive cleaning detergents or materials to clean the panel surface.
- > The Panel Surface must be cleaned regularly with the recommended products.
- > Build up of grime, oil, food and beverage splashes on the panel surface should be wiped clean.
- > Use only a soft micro fibre cloth or a non-abrasive cloth to clean the panel surface. We recommend Vuplex.
- > Detergent with bleach or home remedy solutions like baing soda, or other stain removing gels, powders, liquids or materials should not be used on the panel surface.
- > Try not to clean the panel surface if it is hot! Wait for the surface to cool to room temperature before cleaning.



- > Ensure that the spout of a boiling water kettle is not directly facing the panel surface. Hot steam, air and / or boiling water released from the spout can cause surface of the panel to be stained or damaged.
- > Always face the spout of the kettle away from the panel surface, as shown left.

- > Do not allow the flame from the gas hob to spread up the sides of the cooking pot or pan.
- > Always place a lid on a pan when boiling any foods or liquids on the hob nearest to the panel surface.





- > If using behind a cooking hob, ensure a minimum 30 mm distance is maintained between the panel surface and closest edge of the hob. When cooking with open flame hobs do not allow the flame to be in direct contact with the panel surface.
- > Avoid placing metallic or sharp objects like knives and other utensils against the coated surface, as it may cause scratches on the panel's surface.
- > Allow for a 1.5 mm gap on each side of the finished panel and around the worktop to allow for expansion.

**All electrical plumbing works must be performed
by a licensed and certified electrician**



- > It is recommended that all AluSplash panels should be protected with Vuplex® spray to prevent the panel surface from any scratches or build up of dirt and grime.

Top Installation Tips:

Always check the label on each package for the batch numbers when joining 2 or more panels next to another. Panels with different batch numbers should not be installed next to each other to avoid any possible slight visual shade difference.



1. ALWAYS remember your 1.5 expansion gap and USE packers.

Not leaving sufficient expansion could cause the panel to bow, however this does not apply to joins. Once correctly joined this panel becomes one.



2. ALWAYS measure twice, cut once.

Double check your measurements! As you're working on the back of the panel it can become confusing.



3. ALWAYS work on the back of the AluSplash Panel.

Working on the back of the panel will leave your "good" clean cuts on the face. It will also stop any surface scratches during fitting.



4. ALWAYS dry fit the panels and check the fit.

We always encourage "dry fitting" this enables you to clearly check your work before final installation.



5. ALWAYS use the right kit & ensure you wear the correct PPE.

Using the correct, sharp tools will ensure you have the very best work! Make sure you use the correct PPE throughout the installation.

For the full video of how to install, please go to the Häfele YouTube Channel and click on the AluSplash Installation video

How to install



STEP 1. Preparation

Be careful when lifting the panel, AluSplash is heavy and can bend easily. Open with care and check both sides of the panel for imperfections.

Mark FACE and BACK on the panel to avoid making mistakes.



STEP 3. Cutting

When cutting, always cut from the BACK of the panel.

TOP TIP! Using an aluminium blade will ensure a precise clean cut.



STEP 2. Measuring

When you measure you need to ensure you measure ALL areas. Make sure you REMOVE 1.5mm for expansion. Expansion gaps are NOT required when you have a join.

TOP TIP! Measure twice, cut once.



STEP 4. Joining

Check you are happy with the join with the panels against the wall.

If you require a joining strip, there are 2 ways of joining the panels together; either attach the joining strip to the panels when off the wall to create one, or attach it to one panel when off the wall and slide it behind the other once fitted to the wall.



STEP 5. Edging Profile

Edging profiles add the finishing touch to the panels. Make sure you remove the protective film and dry fit the profiles, marking your mitres for a cut line.

Use a chop saw to cut the profiles and dry fit before you attach.



STEP 6. Seamless Boxing

This section is only required if you are boxing in concealed pipework or wiring etc.

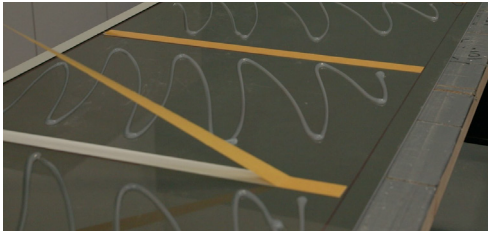
There are 2 different types of boxing you can create with AluSplash.

1. Seamless; where you bend the panel round to create a seamless edge.



STEP 7. Trimmed Boxing

2. Trimmed; where you see the silver of the trim in your internal and external corner joins.



STEP 8. Fitting panel

When fitting, ensure the wall is clean. Measure and mark a 25mm line on all visible edges, and then mark 400mm across the panel for where you will apply the double sided tape, this allows the panel to hold in place whilst the silicone is set.

When setting the panel, always remember to use packers to allow for expansion.



STEP 9a. Fitting of seamless boxing

STEP 9b. Fitting of trimmed boxing

This section is only required if you are boxing in concealed pipework or wiring etc

Seamless; make sure you apply tape to one side and silicone the other. When setting the panel, remember to use packers to allow for expansion.

Trimmed; attach the panels into the external trim, silicone both sides of the boxing and slide the panels into place. When setting the panels, remember to use packers to allow for expansion.



STEP 10. Completion

When the installing of the panel is complete, add any sockets back in place, remove the packers and clean the work surface. You can then apply the silicone and apply vuplex.

To find out where you can buy AluSplash, please go to www.alusplash.com



Care, maintenance
and installation guide