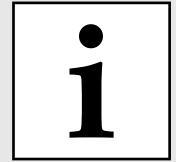


TIP-ON BLUMOTION MERIVOBX

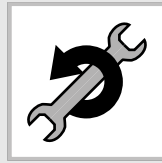
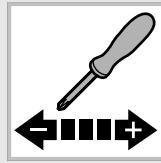
www.blum.com

The Blum logo, featuring a stylized arrow pointing upwards and to the right, followed by the word "blum" in a bold, lowercase, sans-serif font. A registered trademark symbol (®) is located to the upper right of the logo.

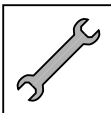
TIP-ON BLUMOTION MERIVOBX



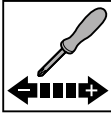
Standardanwendungen | Standard applications | Applications standard | Applicazioni standard | Aplicaciones estándar |
Rozwiązania standardowe | Стандартные конструкции | 标准应用



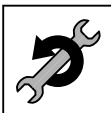
> <http://www.blum.com/documentstiponblumotion>



Montage | Assembly | Montage |
Montaggio | Montaje | Montaž |
Монтаж | 安装



Einstellung | Adjustment | Réglage |
Regolazione | Ajuste | Regulacja |
Регулировка | 调节



Demontage | Removal | Démontage |
Smontaggio | Desmontaje |
Demontaž | Демонтаж | 拆卸



Klickbar | Clickable | Cliquable |
Cliccabile | Se puede hacer clic |
Кліккальнy | Кликабельно | 可点击

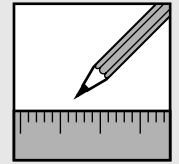


Nicht Klickbar | Not clickable |
Pas cliquable | Non cliccabile |
No se puede hacer clic |
Nie klikalny | Некликабельно |
不可点击

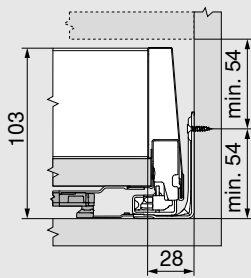


Zurück | Back | Retour | Indietro |
Hacia atrás | Wstecz | Назад | 返回

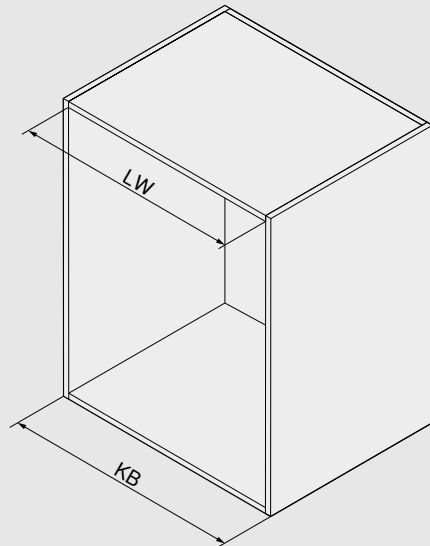
TIP-ON BLUMOTION MERIVOBX



i



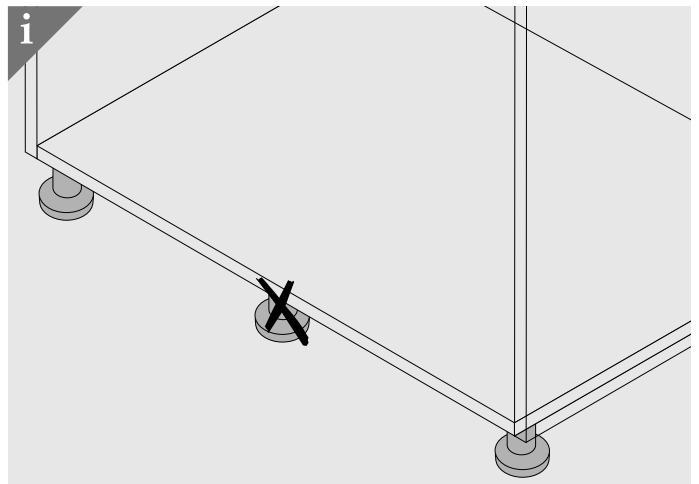
i



i

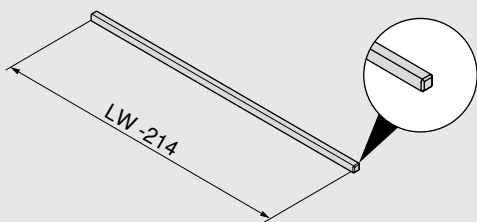


i



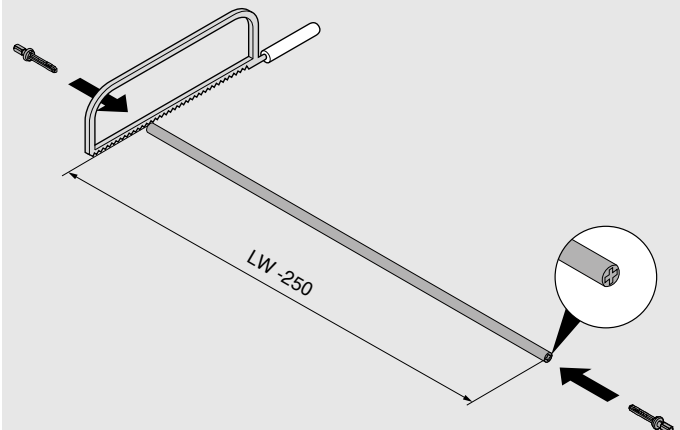
i

LW 238 – 294 mm

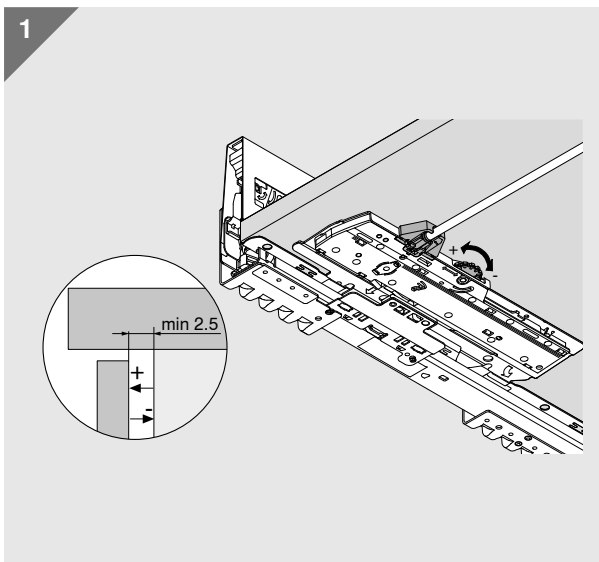
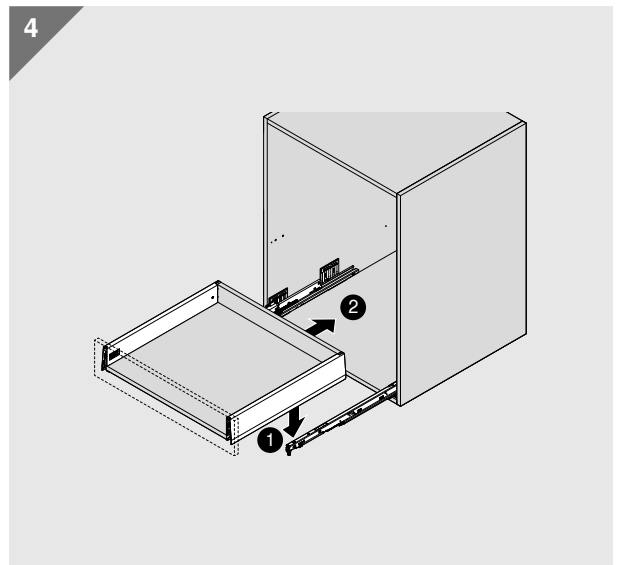
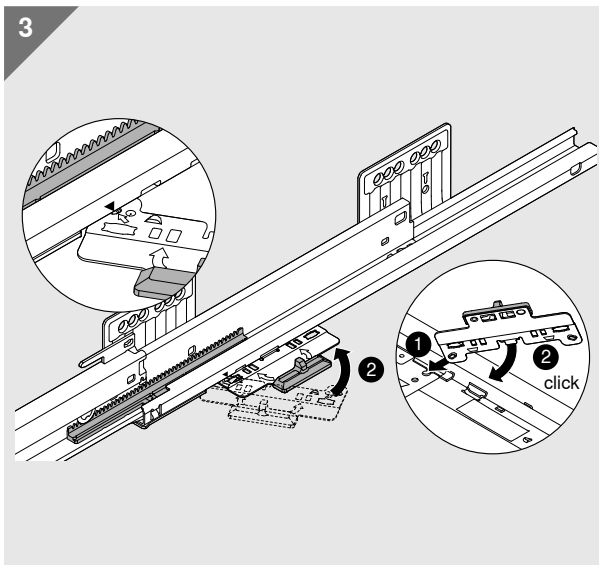
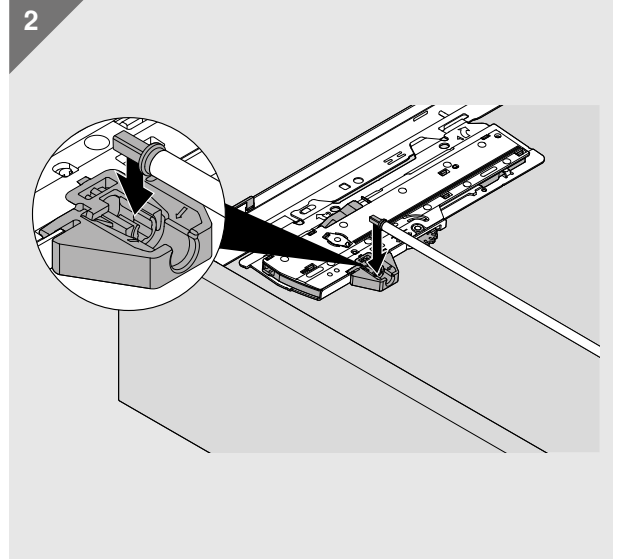
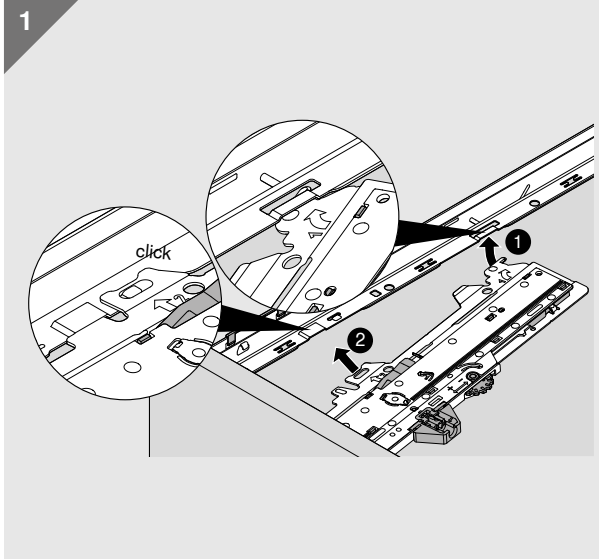


i

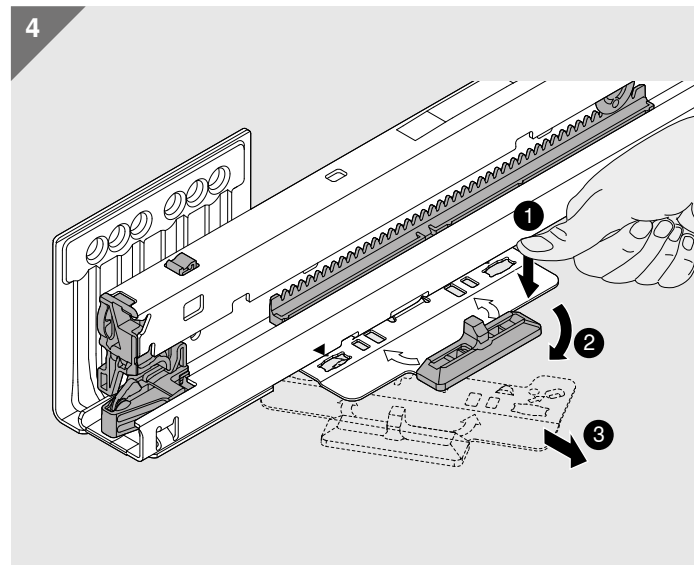
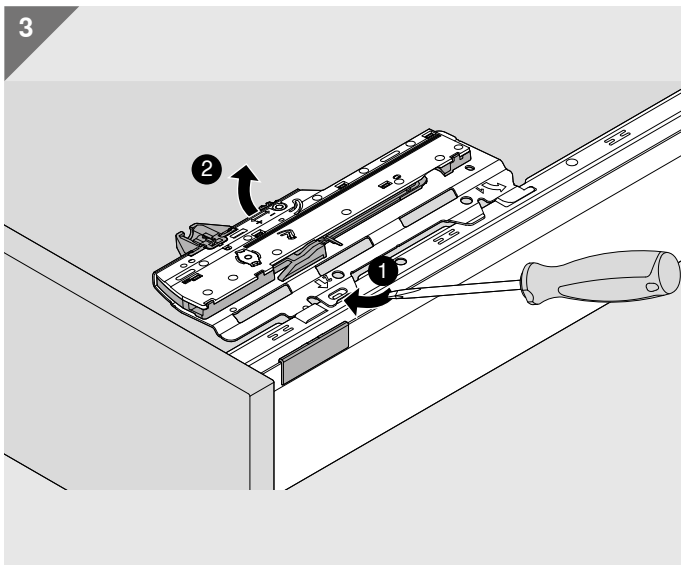
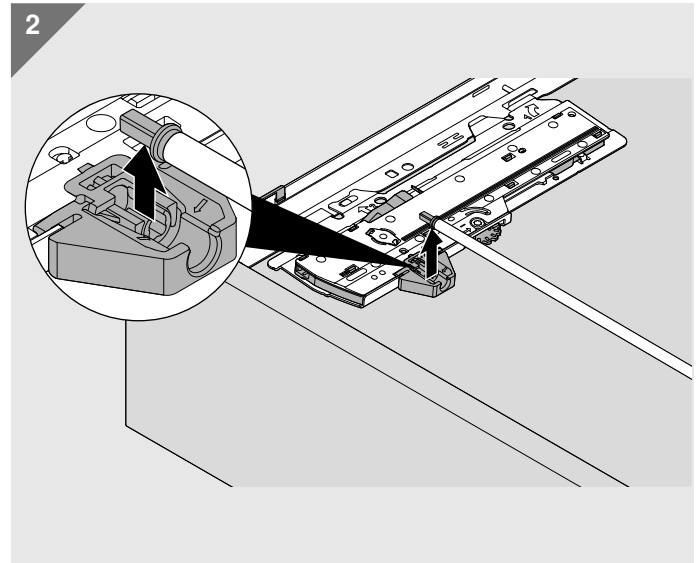
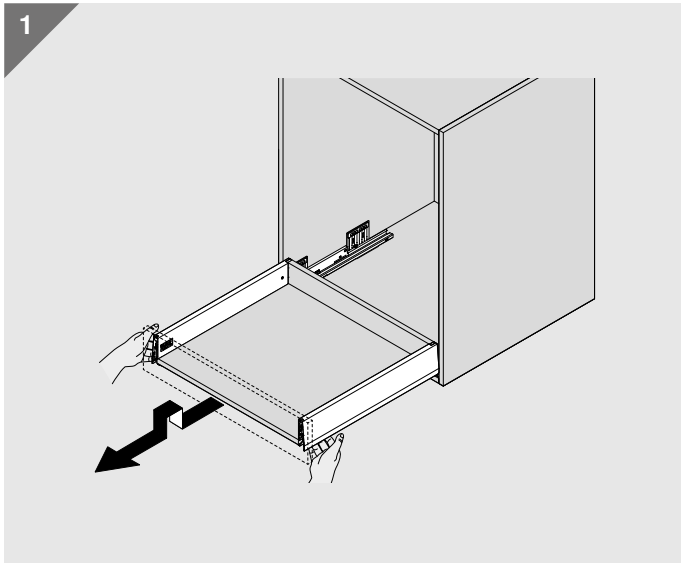
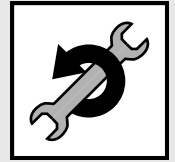
LW ≥ 294 mm



TIP-ON BLUMOTION MERIVOBX



TIP-ON BLUMOTION MERIVOBX



Look for our
FSC™-certified
products



MD-063/2 - 09.20 - © Copyright by Blum

Julius Blum GmbH
Furniture Fittings Mfg.
6973 Höchst, Austria
Tel.: +43 5578 705-0
Fax: +43 5578 705-44
E-mail: info@blum.com
www.blum.com

Our sites in Austria, Poland and China are certified to the international standards mentioned below.
Our site in the USA is certified to ISO 9001.
Our site in Brazil is certified to ISO 9001 and ISO 14001.

