

633.50.231
 633.50.331
 633.50.731
 633.54.030
 633.54.040
 633.54.050

633.50.236
 633.50.336
 633.50.736
 633.54.035
 633.54.045
 633.54.055

L

K

H

A

B

C

D

4x **G**
M6 x 25
DIN 912

4x **F**
M6 x 30

E
M6 x 35

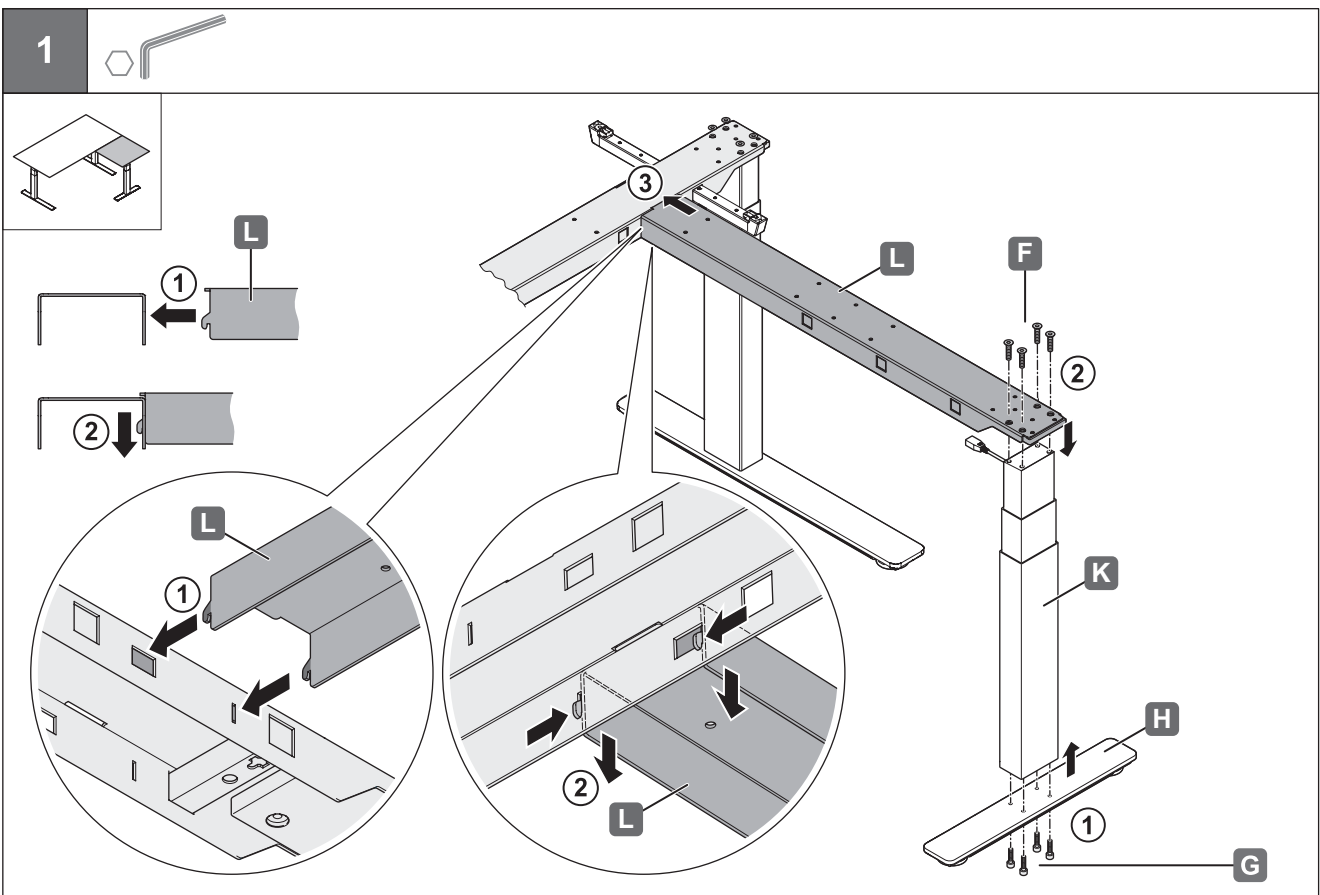
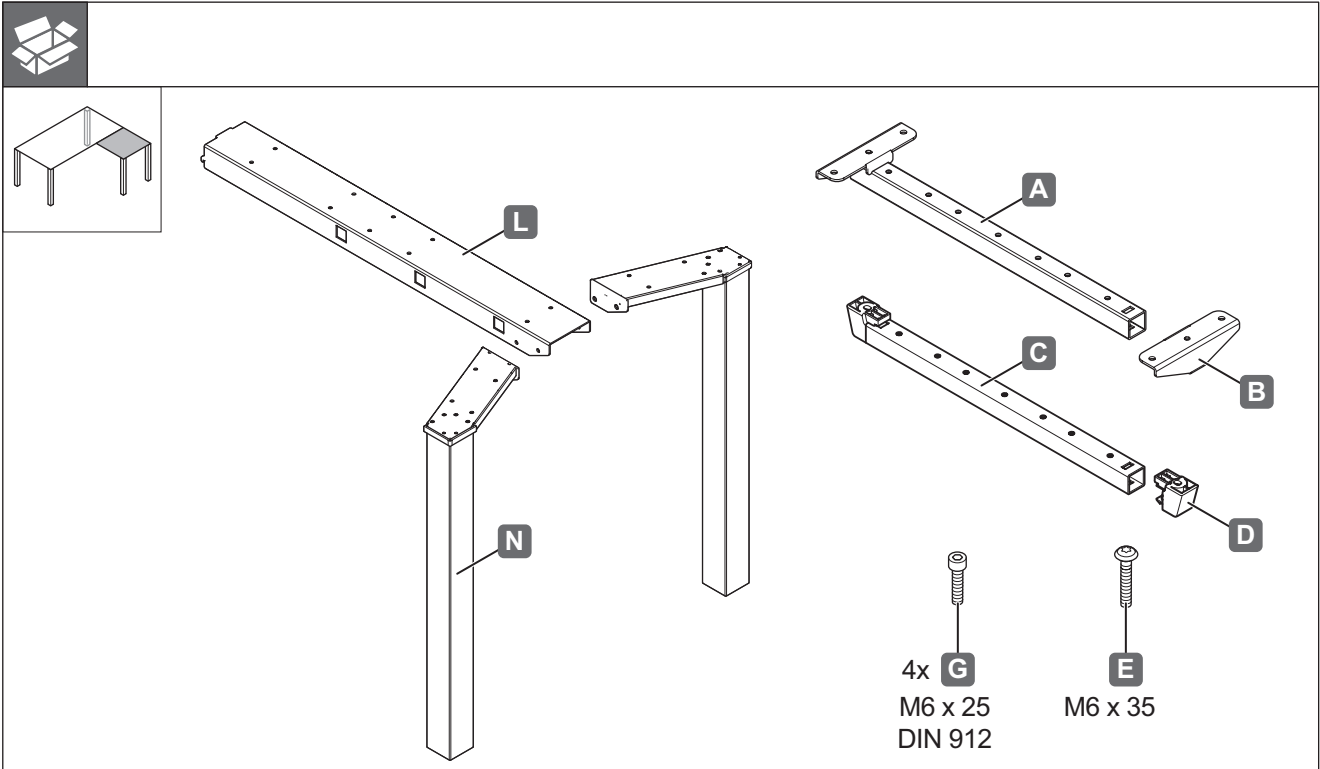
732.26.635

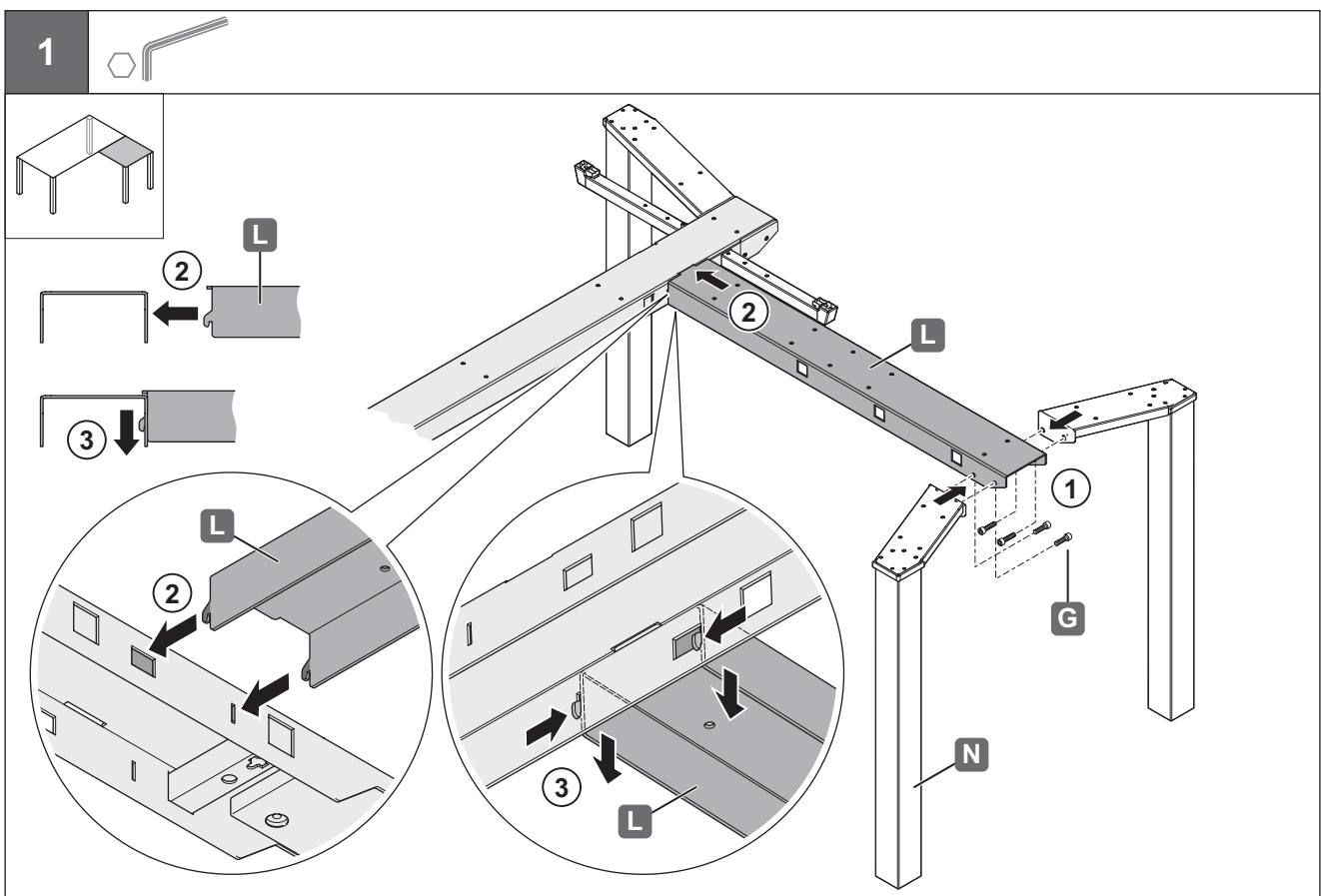
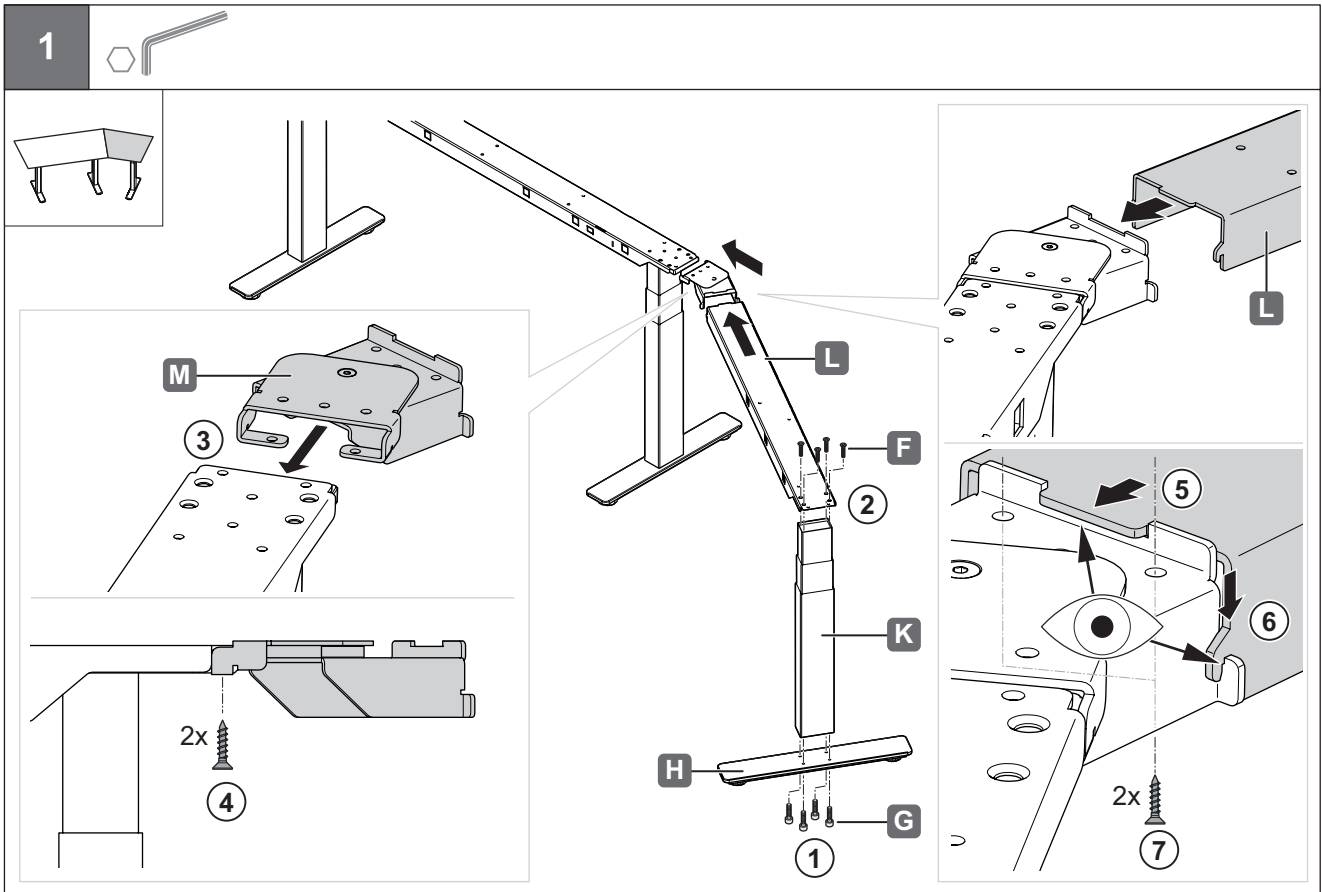
2x
260.23.900

M

633.92.240
 633.92.340
 633.92.740

HDE 01.11.2021

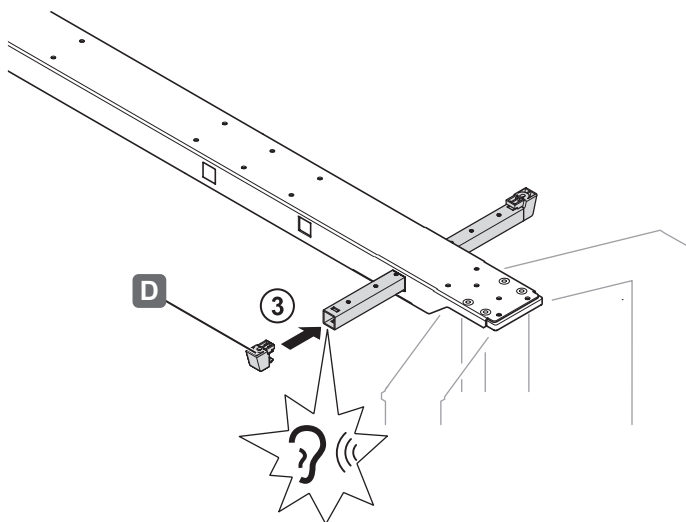
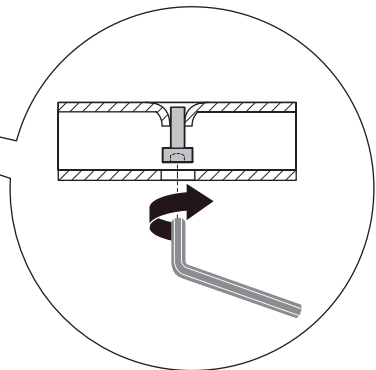
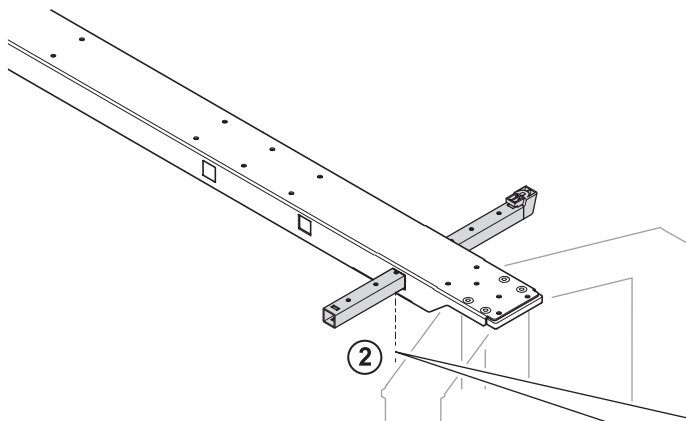
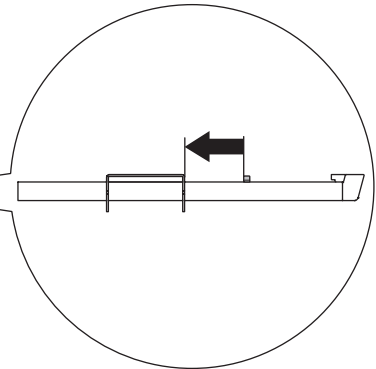
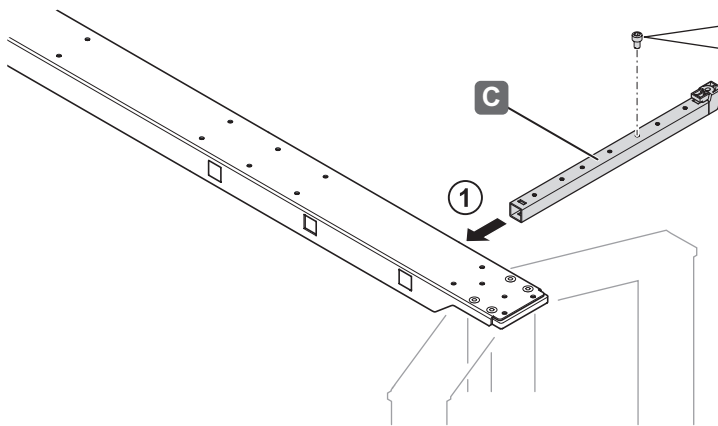
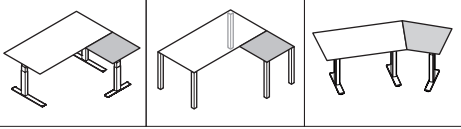




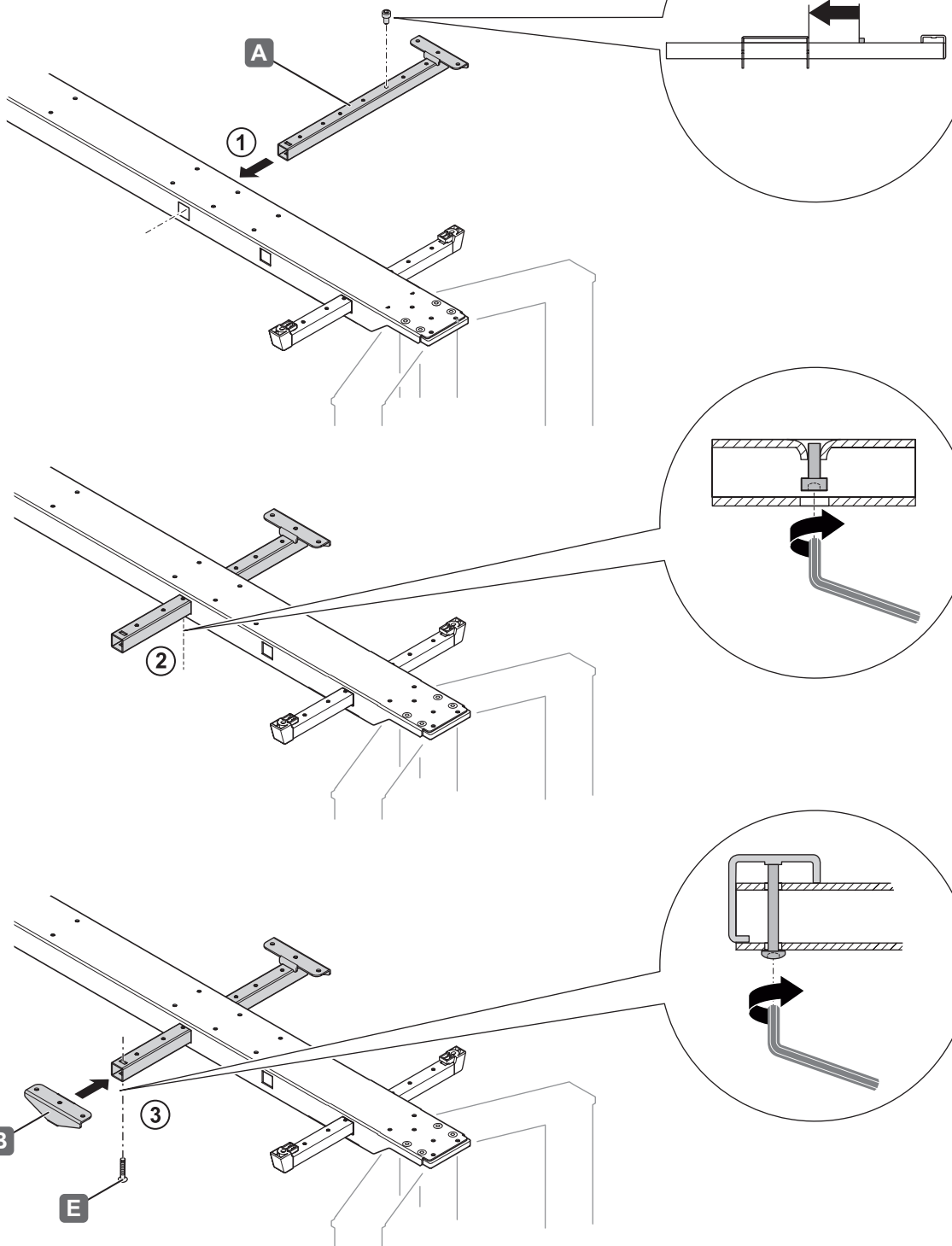
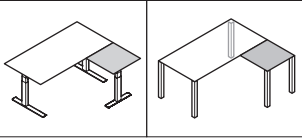
7.92.26.635

HDE 01.11.2021

2

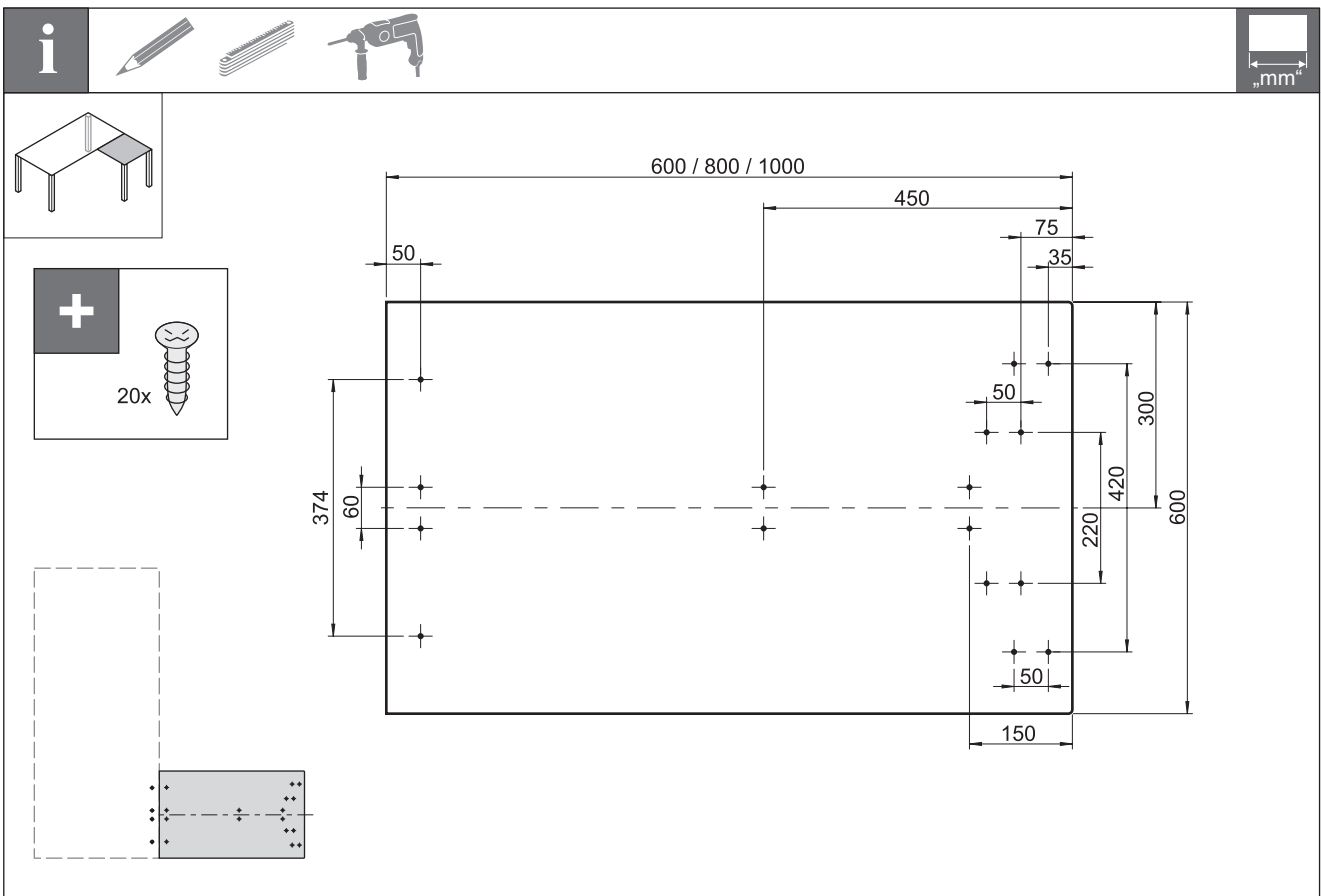
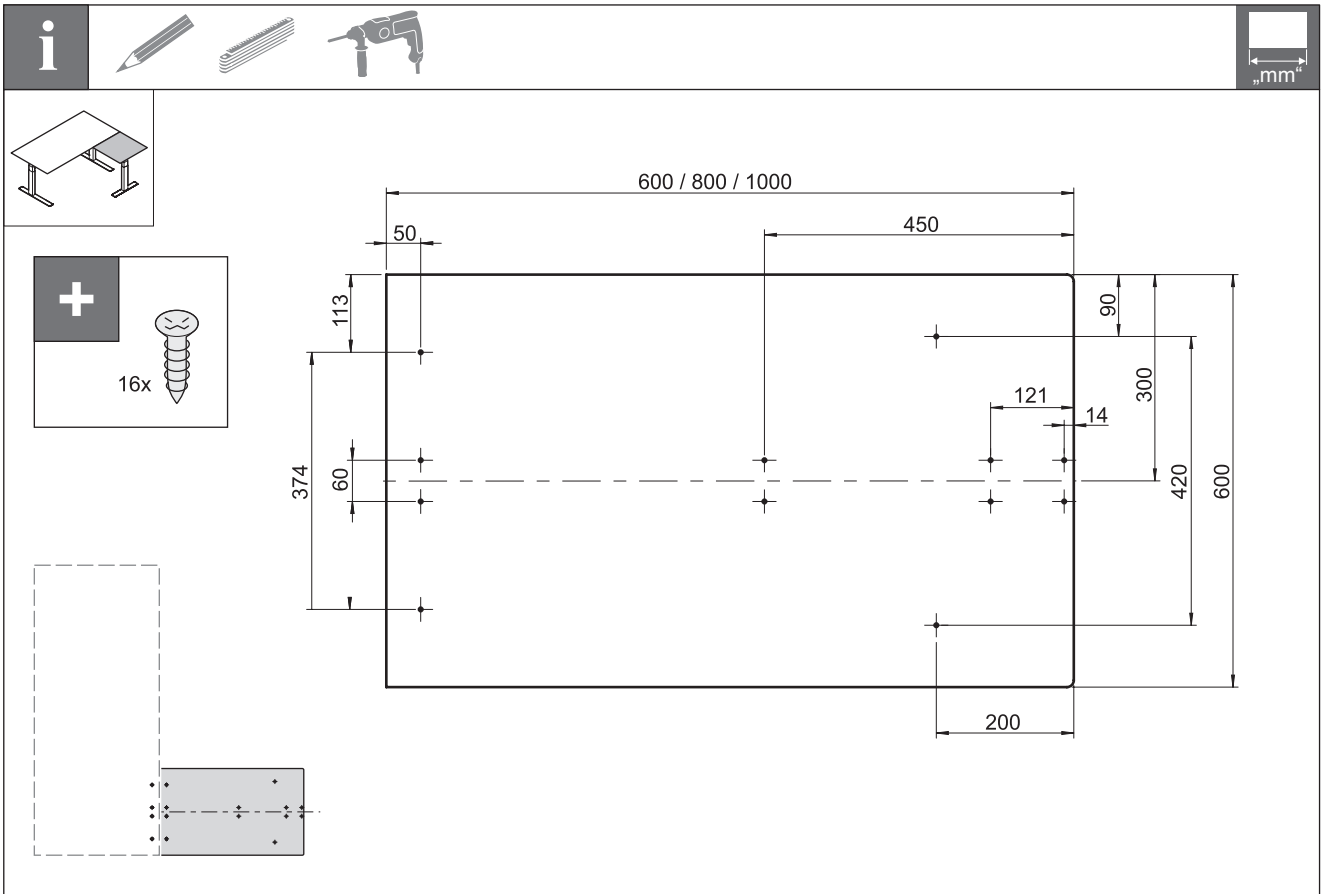


3



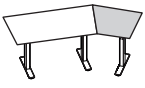
7.92.26.635

HDE 01.11.2021



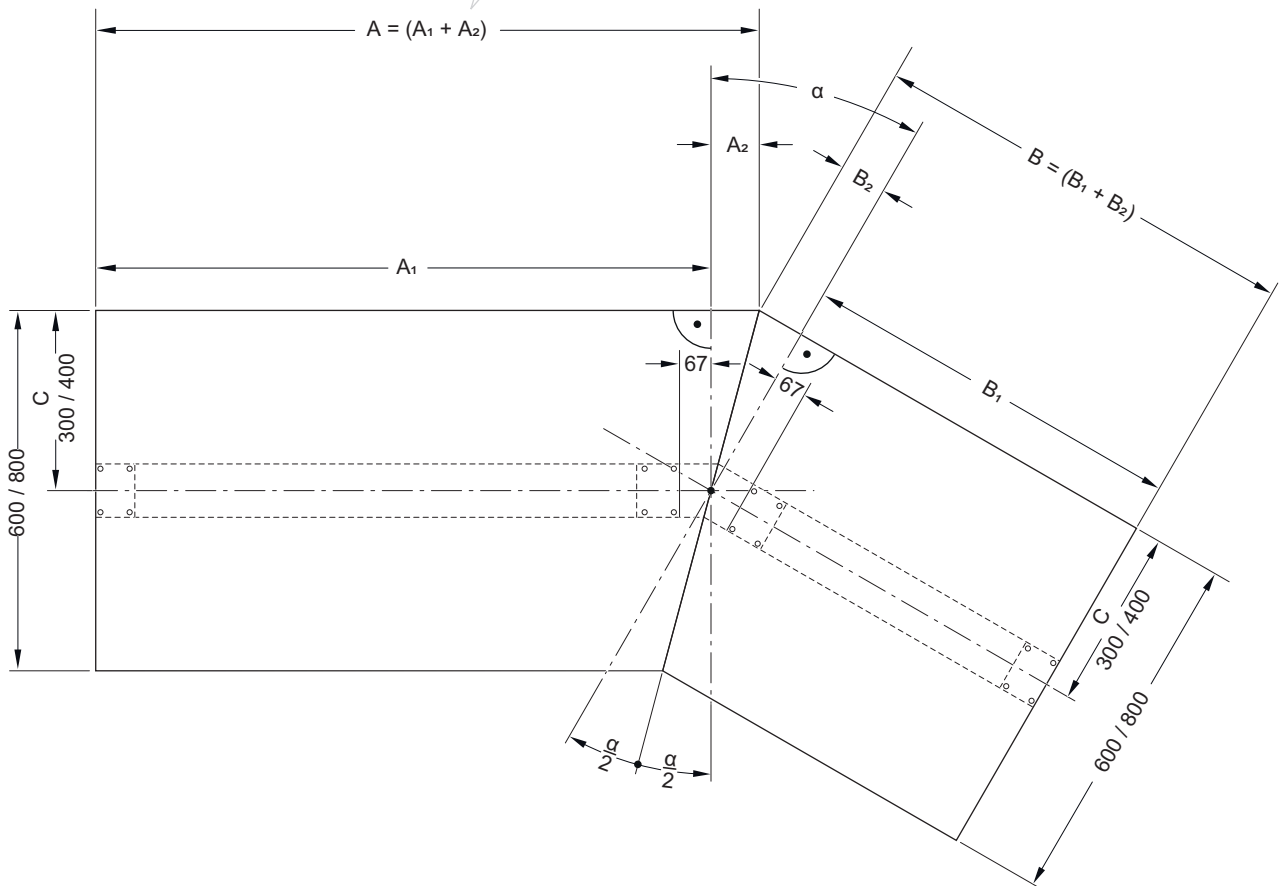
732.26.635

HDE 01.11.2021



$$A_2 = \tan \frac{\alpha}{2} * C$$

$$A_2 = B_2$$

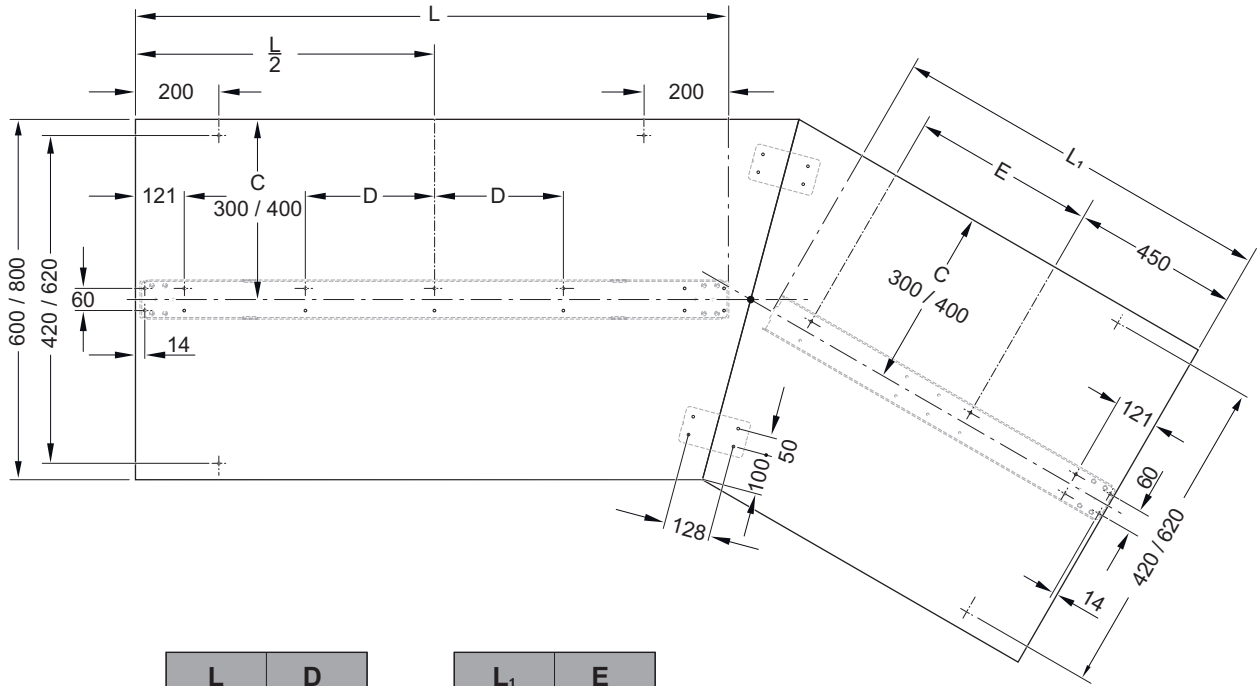
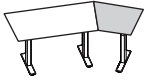


732.26.635

A_1	A_2
L (1000 / 1200 / 1400 / 1600 / 1800 / 2000 / 2200 / 2400)	L ₁ (847 / 1047 / 1247 / 1447)
+67	+67

$\frac{\alpha}{2}$	A_2 / B_2 (C = 300)	A_2 / B_2 (C = 400)
5°	26	35
10°	53	70,5
15°	80,5	107
20°	109	145,5
25°	140	186,5
30°	173	231
35°	210	280
40°	252	335,5
45°	300	400

HDE 01.11.2021



L	D
1000	0
1200	350
1400	350
1600	350
1800	350
2000	450
2200	550
2400	650

L ₁	E
847	300
1047	500
1247	700
1447	900